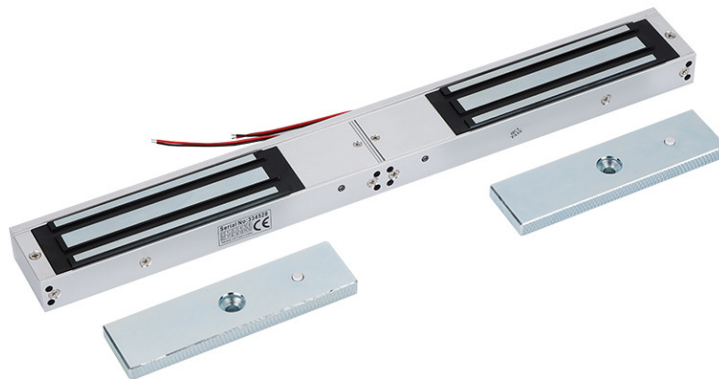
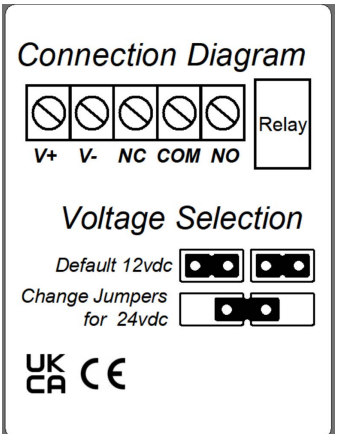


Product Code - WBX280S-D-M & WBX280ZL-D

WBX280S-D-M Monitored Magnet Lock For Double Fire Door

- 12 / 24 VDC Selectable
- Current Draw 400mA@12V, 220mA@24V
- No residual magnetism, no mechanical damage
- Lock state monitoring: Yes
- Lock State Indicator: Green / Red LED
- 280kgs (600lbs) Holding Force
- Satin anodised Aluminium
- Magnetic lock Dimensions: 500 x 26 x 49mm
- Armature plate Dimensions: 180 x 11 x 38mm
- Weight 3.7Kg
- Warranty: 3 years



WBX280ZL -D is a Z & L Bracket For WBX280S-D-M
Material Satin anodised Aluminium
Dimensions: 180 x 50 x 50mm (Z)
Dimensions: 500 x 48 x 29mm (L)
Warranty: Limited Lifetime

